

## SQUARE DRIVE TORQUE WRENCH

wrench.



### TORQUE WRENCH - High Cycle

#### Quality means Lower Life-Cycle Costs:

- Designed for high cycle life: 2-3x more than existing technology
- Increased reliability: Simple drive assembly means less downtime
- Corrosion resistant material for use in harsh environments

#### Enhanced Usability:

- Compact nose radius allows the tool to fit in tighter, hard-to-reach spaces
- Low weight, high strength design
- Fast operation, long stroke and optimum flow
- Multi-direction high flow swivel manifold
- Push button square drive reversal and reaction arm positioning

#### Designed with Safety in Mind:

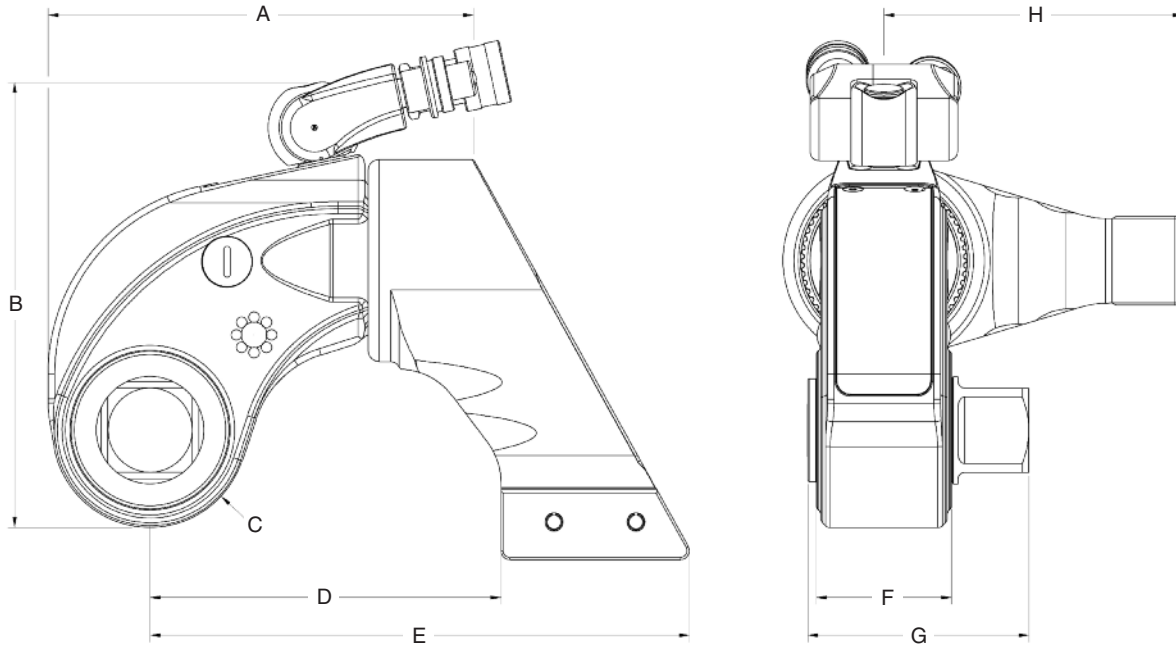
- Fully enclosed drive mechanism for operator safety
- Swivel manifold internal relief valve prevents retract side over-pressurization
- Fine tooth pawl prevents tool 'lock-on'



# SQUARE DRIVE TORQUE WRENCH



## Specifications and Dimensional Data



Ref	Torque Output Lb. ft (Nm)	Square Drive in.	A	B	C	D	E	F	G	H	Weight Kg (Lbs)
TWHC1	1300 (1762)	3/4"	132.0	145.0	28.0	111.5	170.0	39.5	67.7	86.1	2.8 (6.2)
TWHC3	3070 (4160)	1"	165.0	173.5	36.5	129.6	197.7	53.0	83.7	105.1	5.3 (11.7)
TWHC6	6020 (8157)	1-1/2"	192.0	201.6	44.0	158.5	243.7	61.0	99.9	135.1	8.8 (19.4)

### Optional Handles

Order No.	Description	Order No.	Description	Order No.	Description
TWHC1	Wrench	TWHC1H	Wrench with handle	DFTAS000001	Handle for TWHC1
TWHC3	Wrench	TWHC3H	Wrench with handle	DFTAS000001	Handle for TWHC3
TWHC6	Wrench	TWHC6H	Wrench with handle	DFTAS000002	Handle for TWHC6

**BOLTING SYSTEMS**  
 spxboltingsystems.com  
 powerteam.com